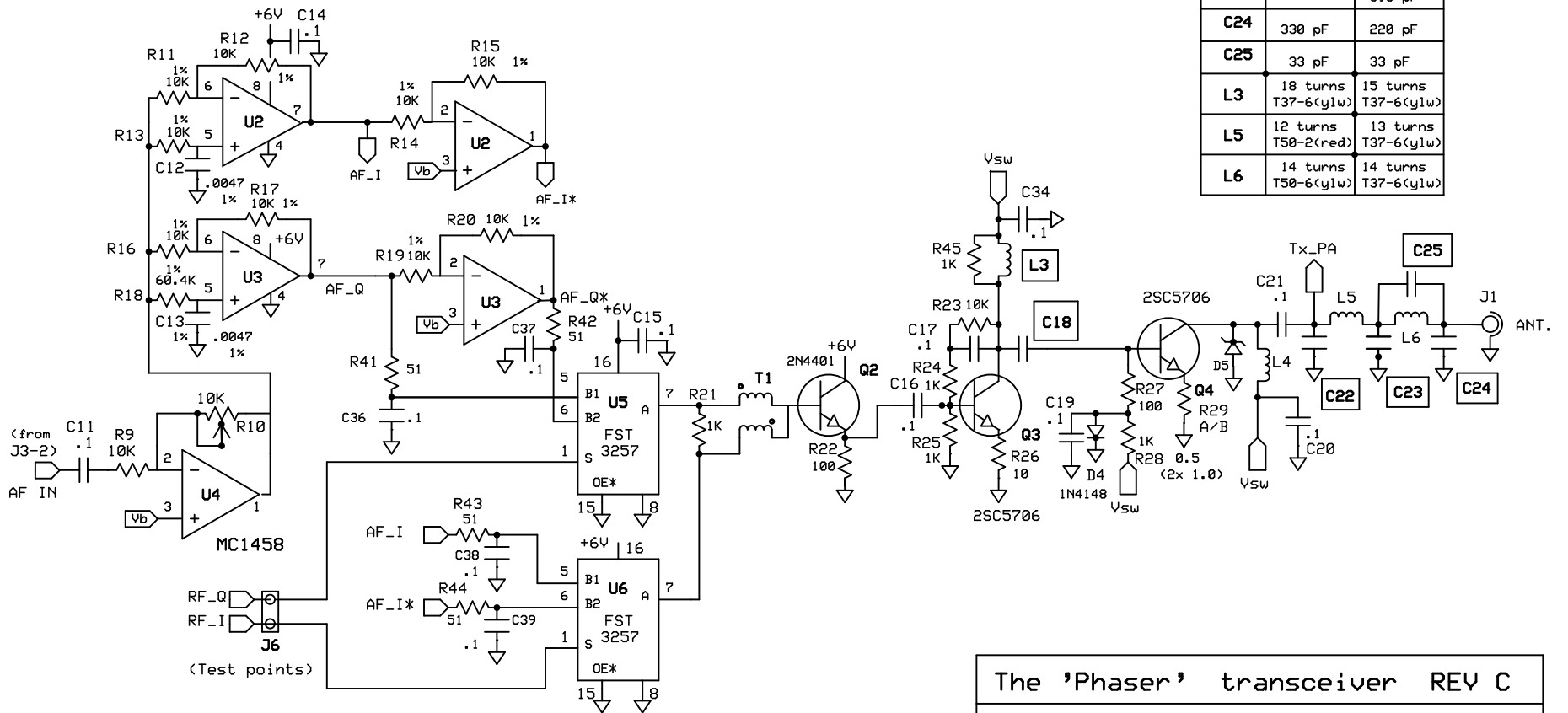


Ref. Des.	30M	20M
C1	47 pF	27 pF
C2	68 pF	150 pF
L1	6.8 uH	4.7 uH
L2	2.2 uH	1 uH

Ref. Des.	30M	20M
C18	220 pF	150 pF
C22	220 pF	150 pF
C23	560 pF	390 pF
C24	330 pF	220 pF
C25	33 pF	33 pF
L3	18 turns T37-6(y1w)	15 turns T37-6(y1w)
L5	12 turns T50-2(red)	13 turns T37-6(y1w)
L6	14 turns T50-6(y1w)	14 turns T37-6(y1w)



The 'Phaser' transceiver REV C

Transmitter/receiver Schematic 30M/20M